



Instructions for construction of lighthouse

List of Supplies

6 sheets of 4'x8'x1/2" foam insulation
(remove the plastic film on both sides)

x-acto knife with lots of extra blades
(change blades often)

1 tape measure or "yard stick"

1 roll of 3"x4500" carton sealing gummed tape
(this is a brown paper tape available at Office Depot or on their website www.officedepot.com item number 444443)

1 pair of scissors

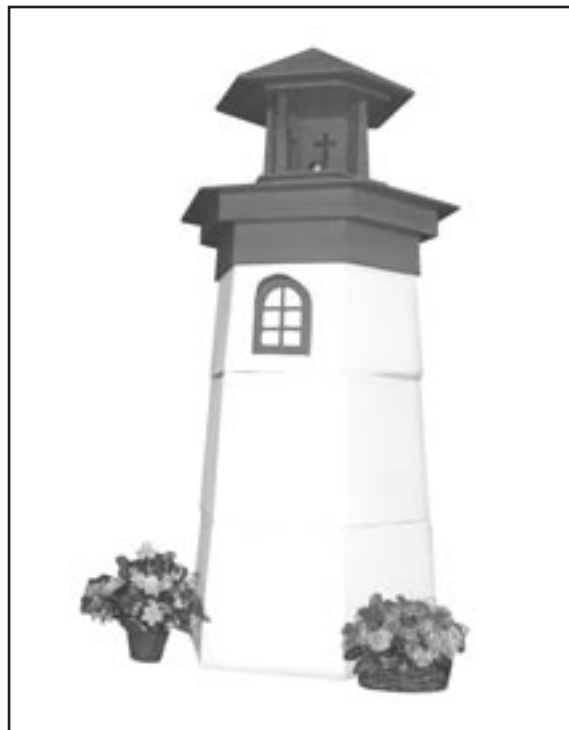
1 small plant mister type spray bottle
(this is used to wet the paper tape sufficiently enough to make it stick well)

1 large roll of newsprint or a large quantity of newspapers
(if there are printing facilities near you they might donate a roll)

1 8 ounce carton of all purpose adhesive and wall size
(this is available at Wal-Mart or a building supply store)

2 quarts of flat or satin finish latex house paint in whatever colors you choose

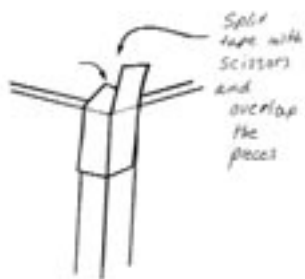
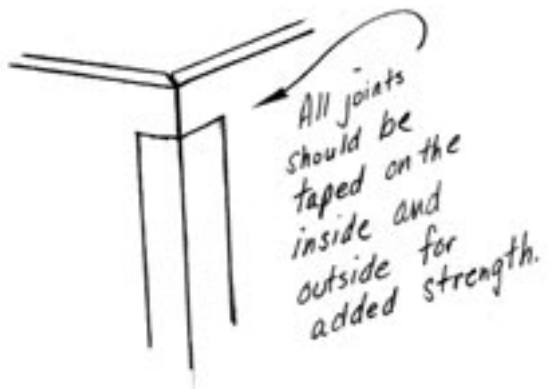
Painting supplies as needed



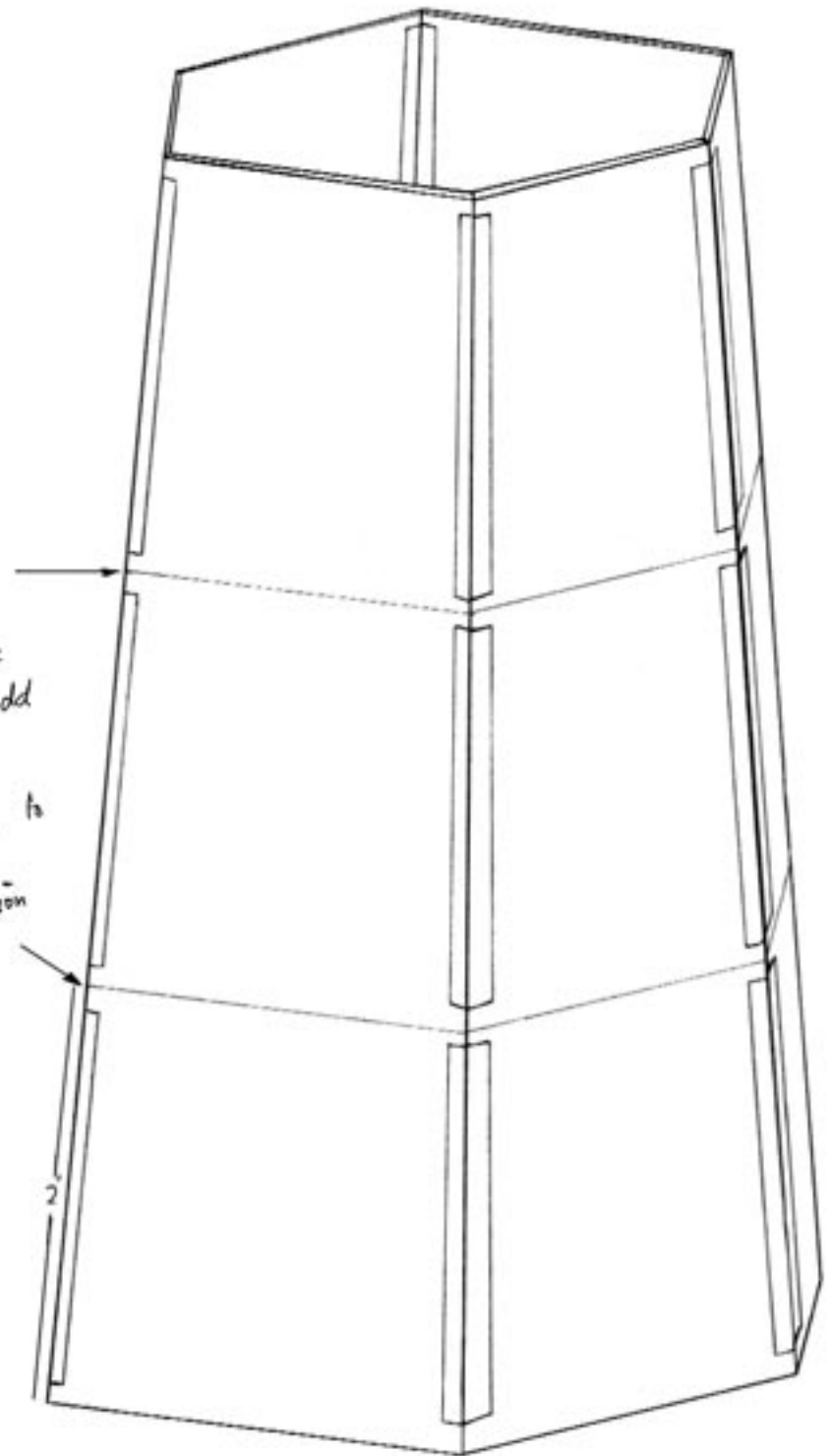
For clarifications or questions please call

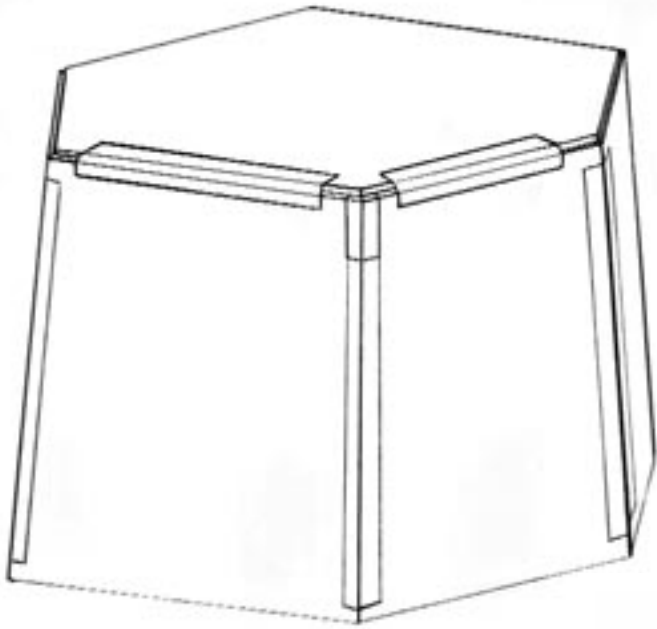
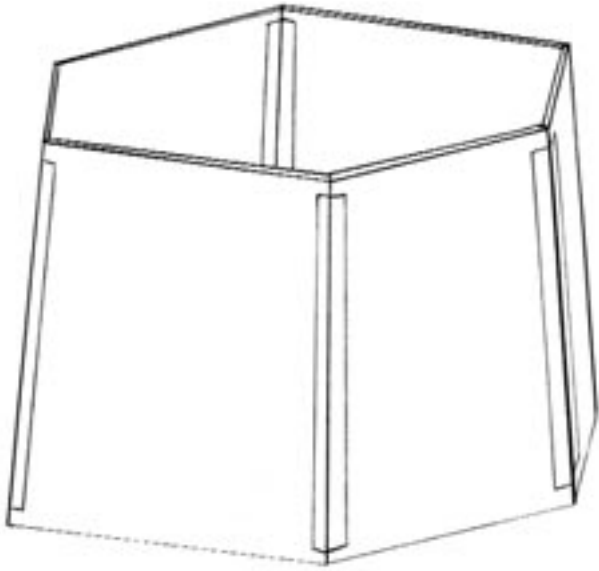
Jeff Allen 1-800-264-2482





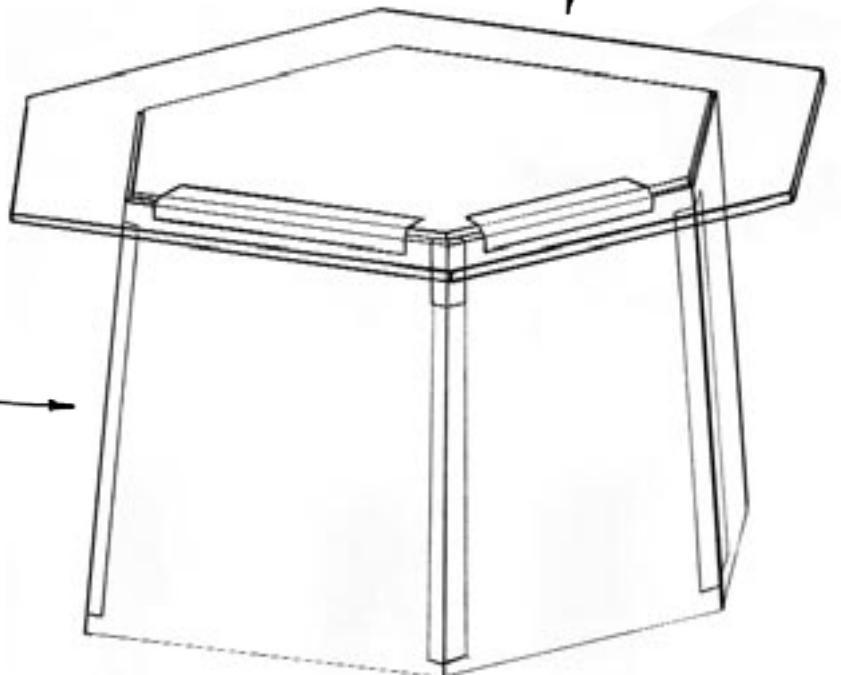
cut base and add top and bottom to each section



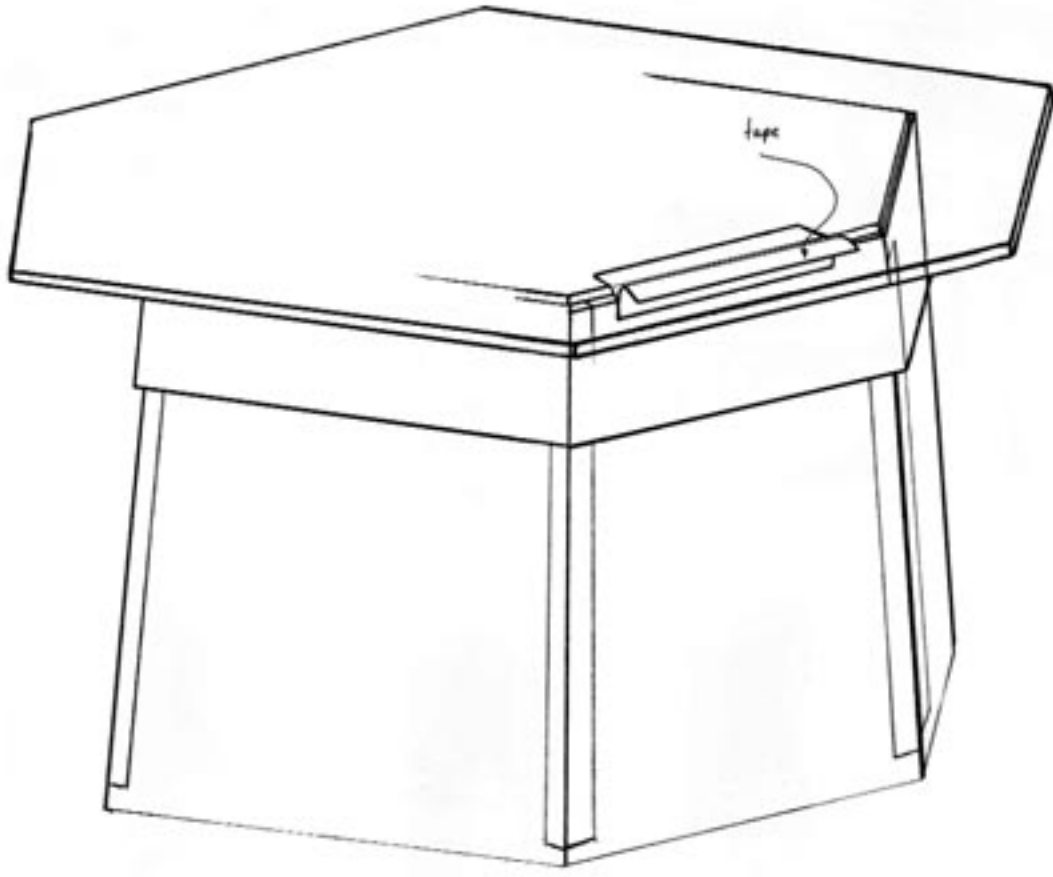
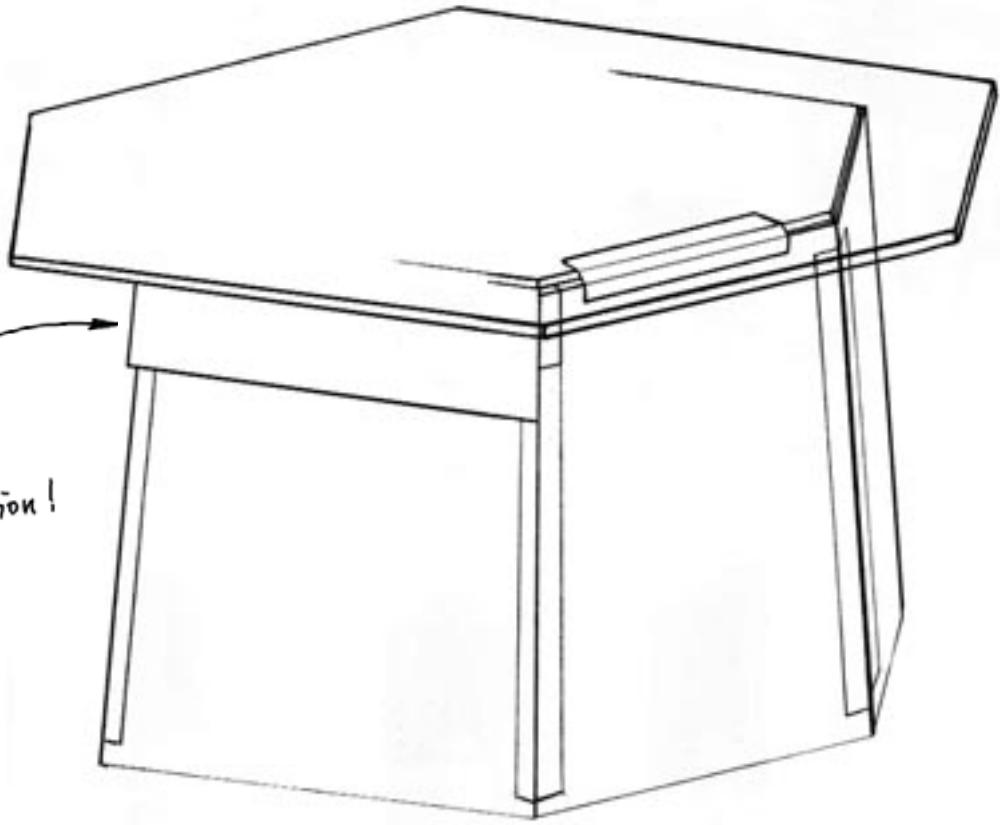


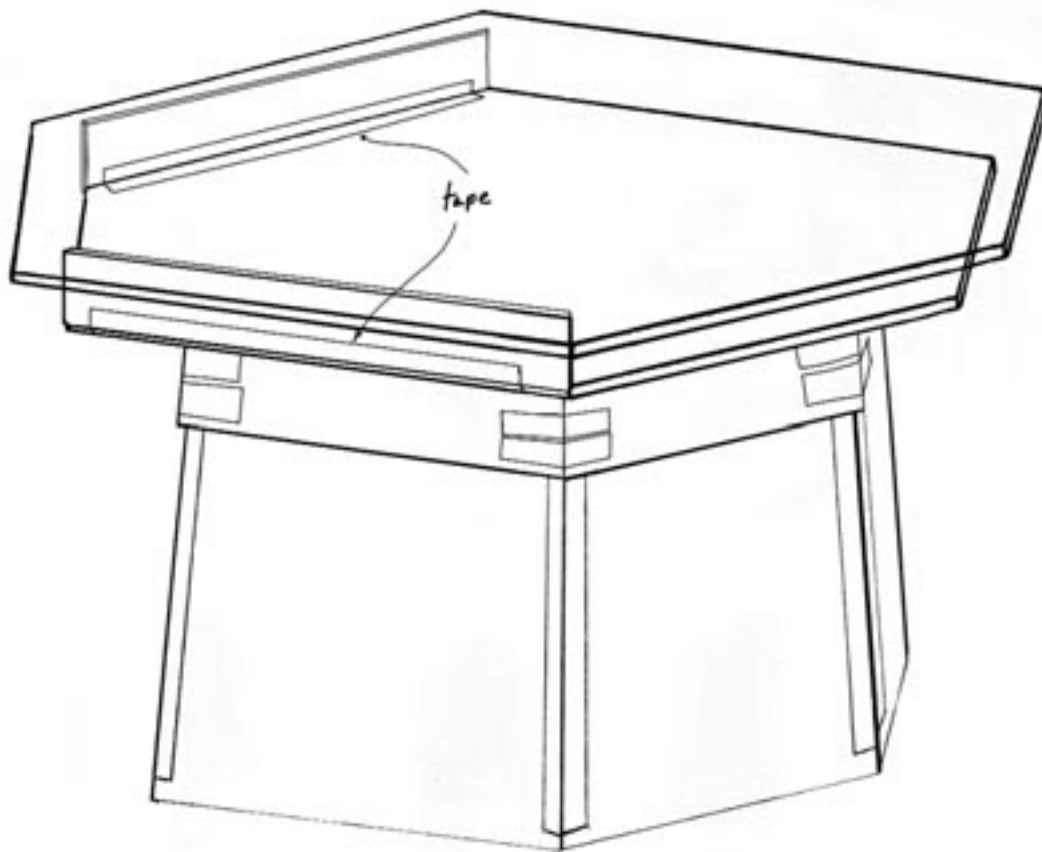
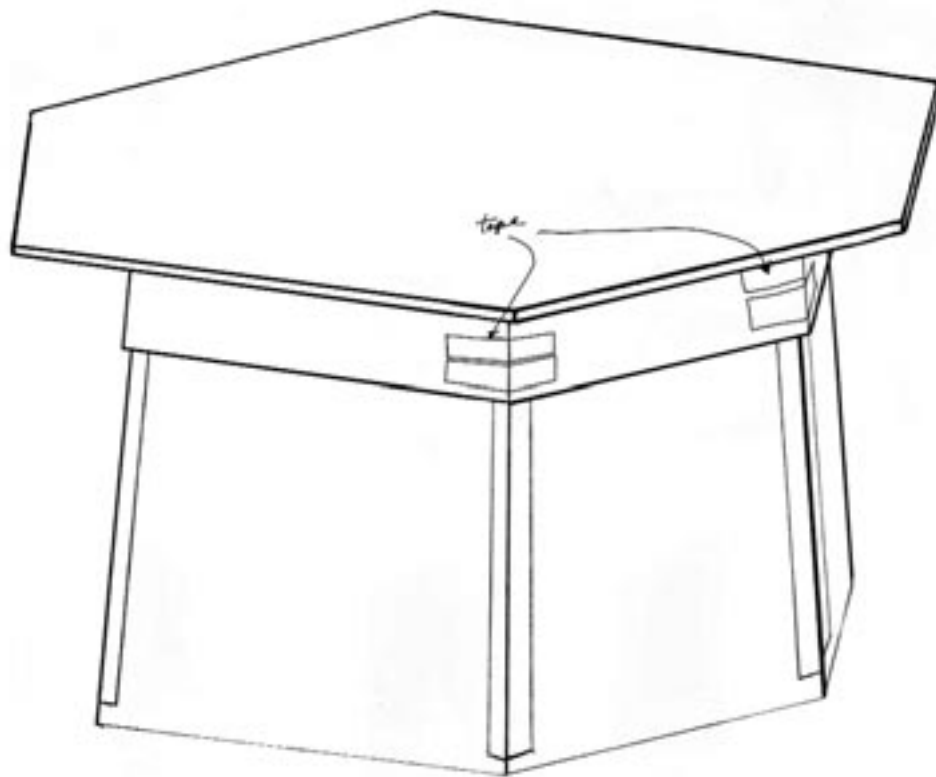
do not attach
this piece to
the top base
section!

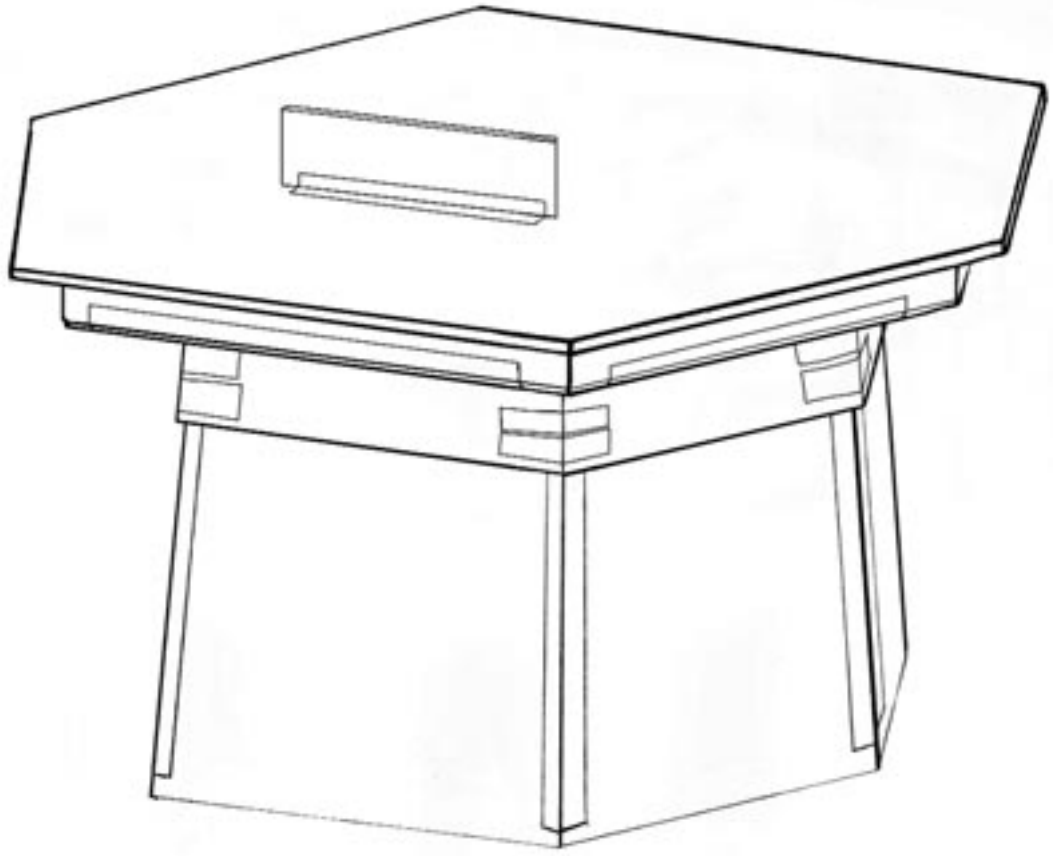
top base
section →

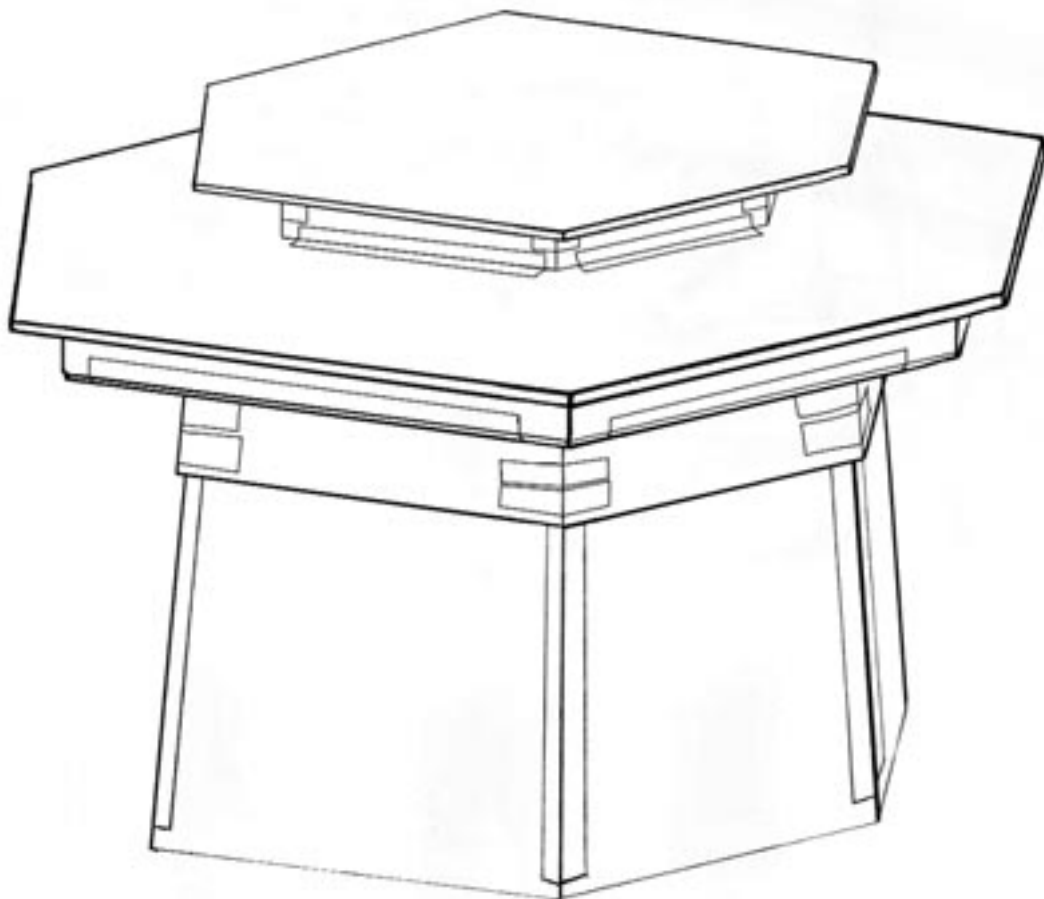
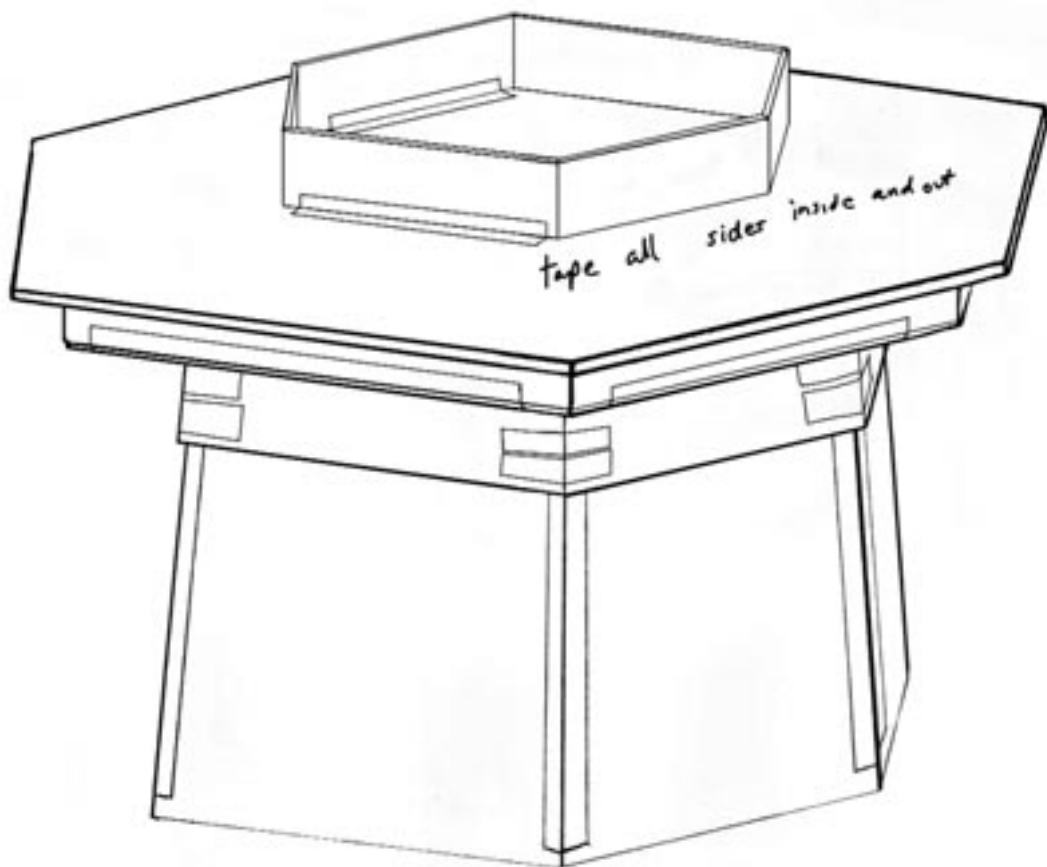


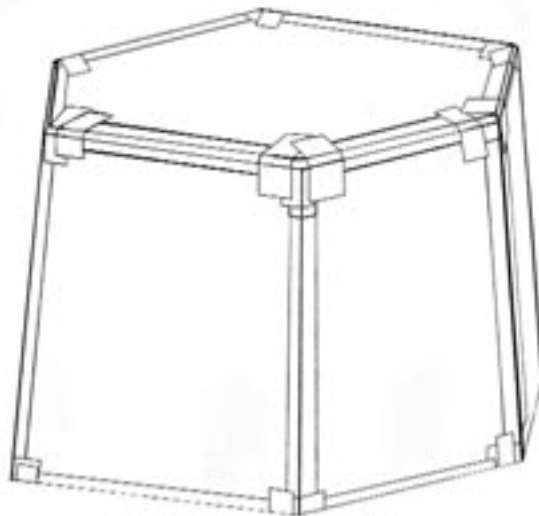
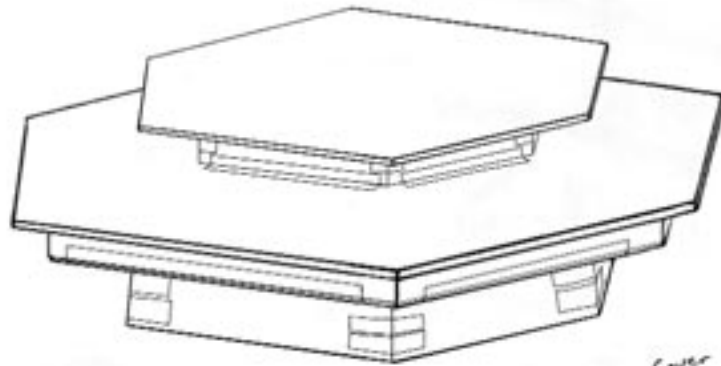
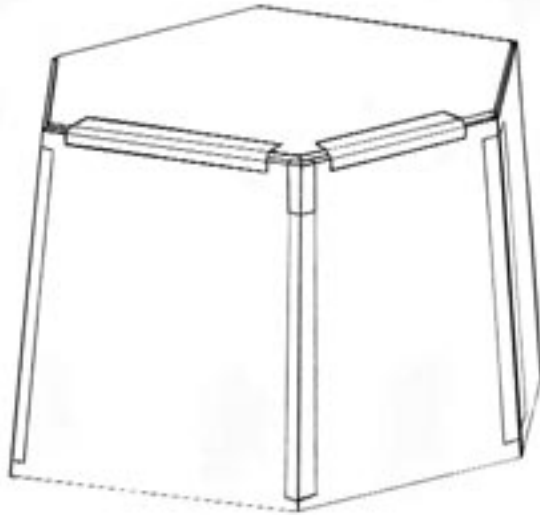
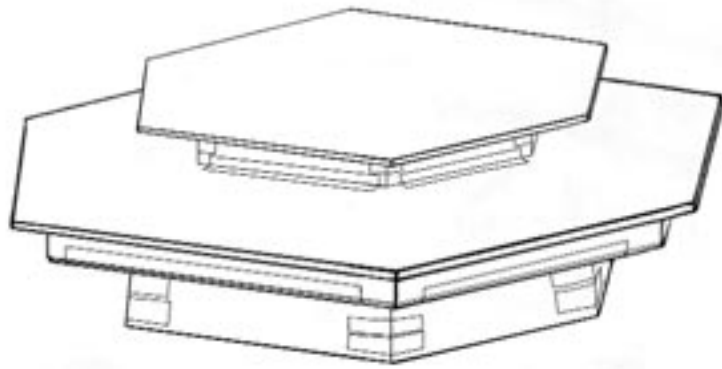
do not
attach
this piece
to the top
base section!



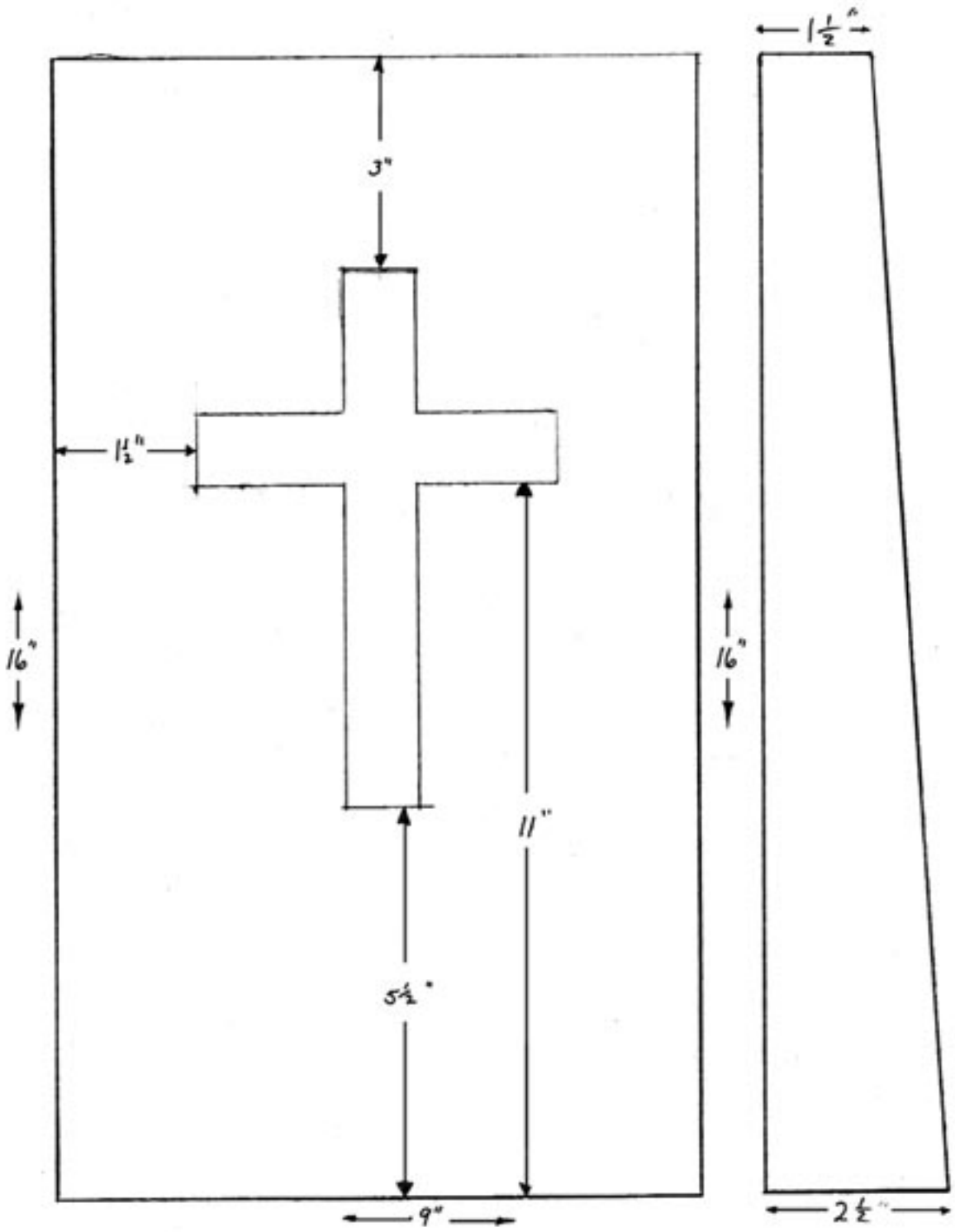


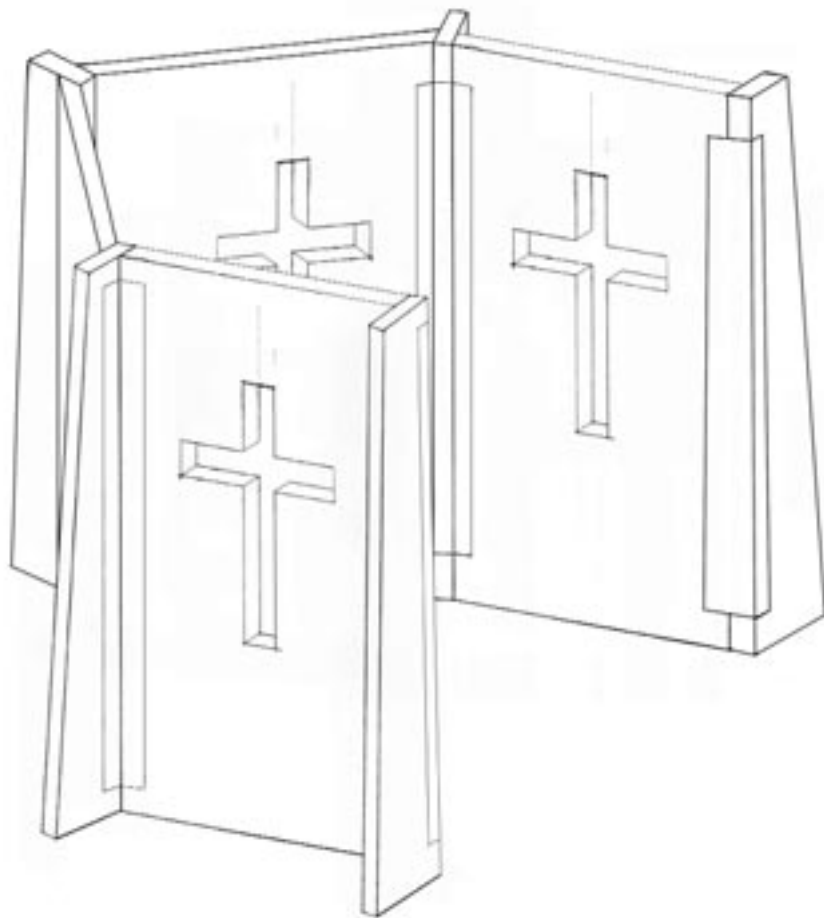
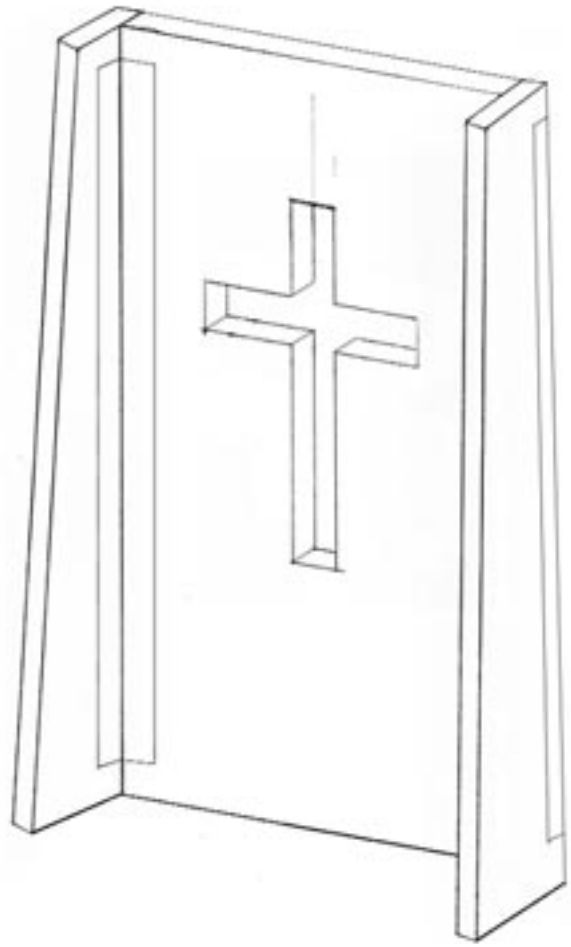
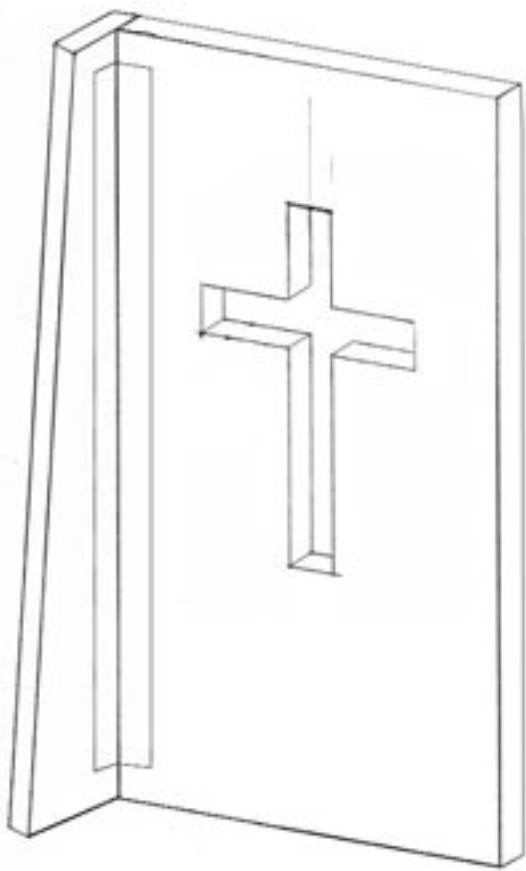


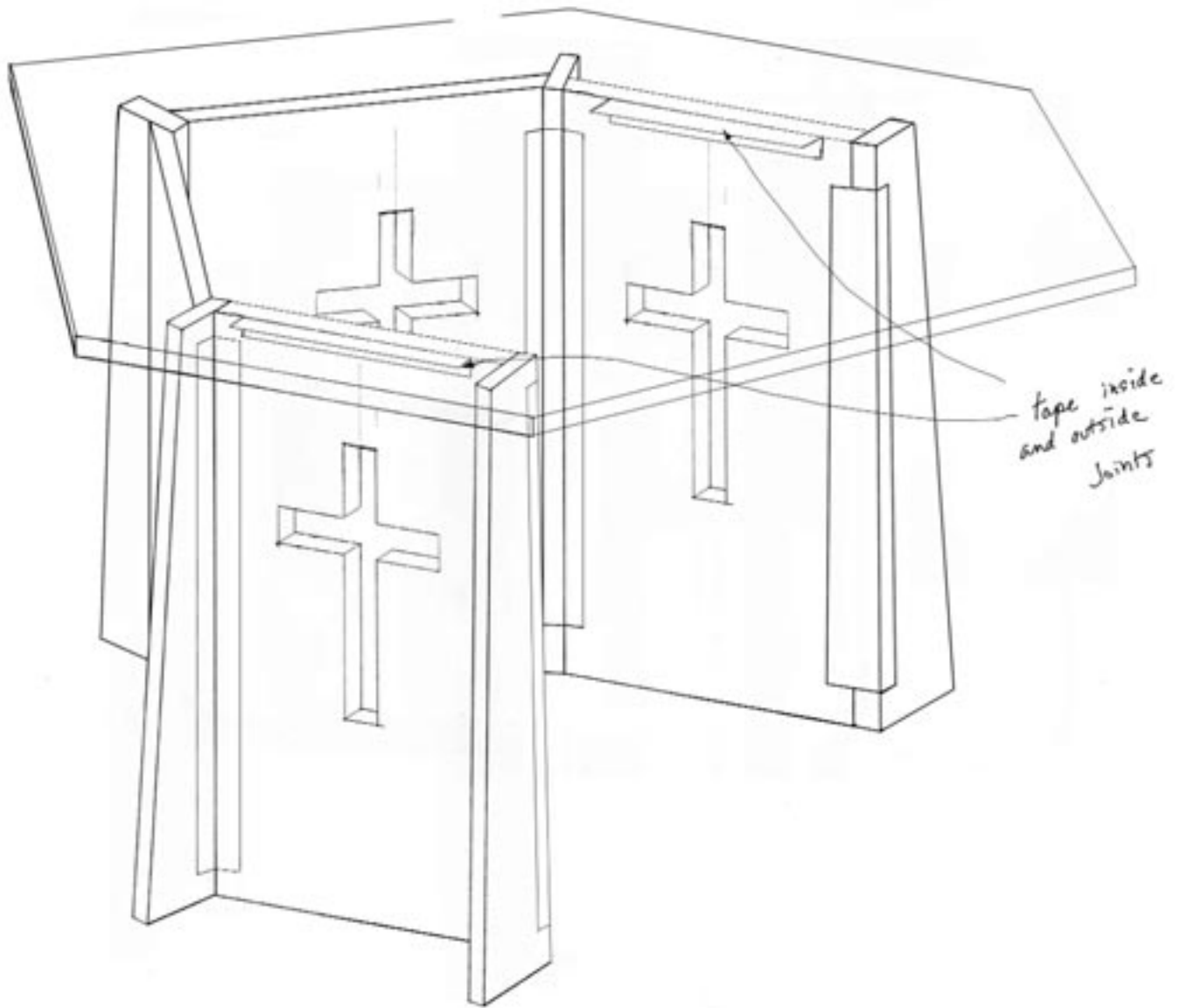


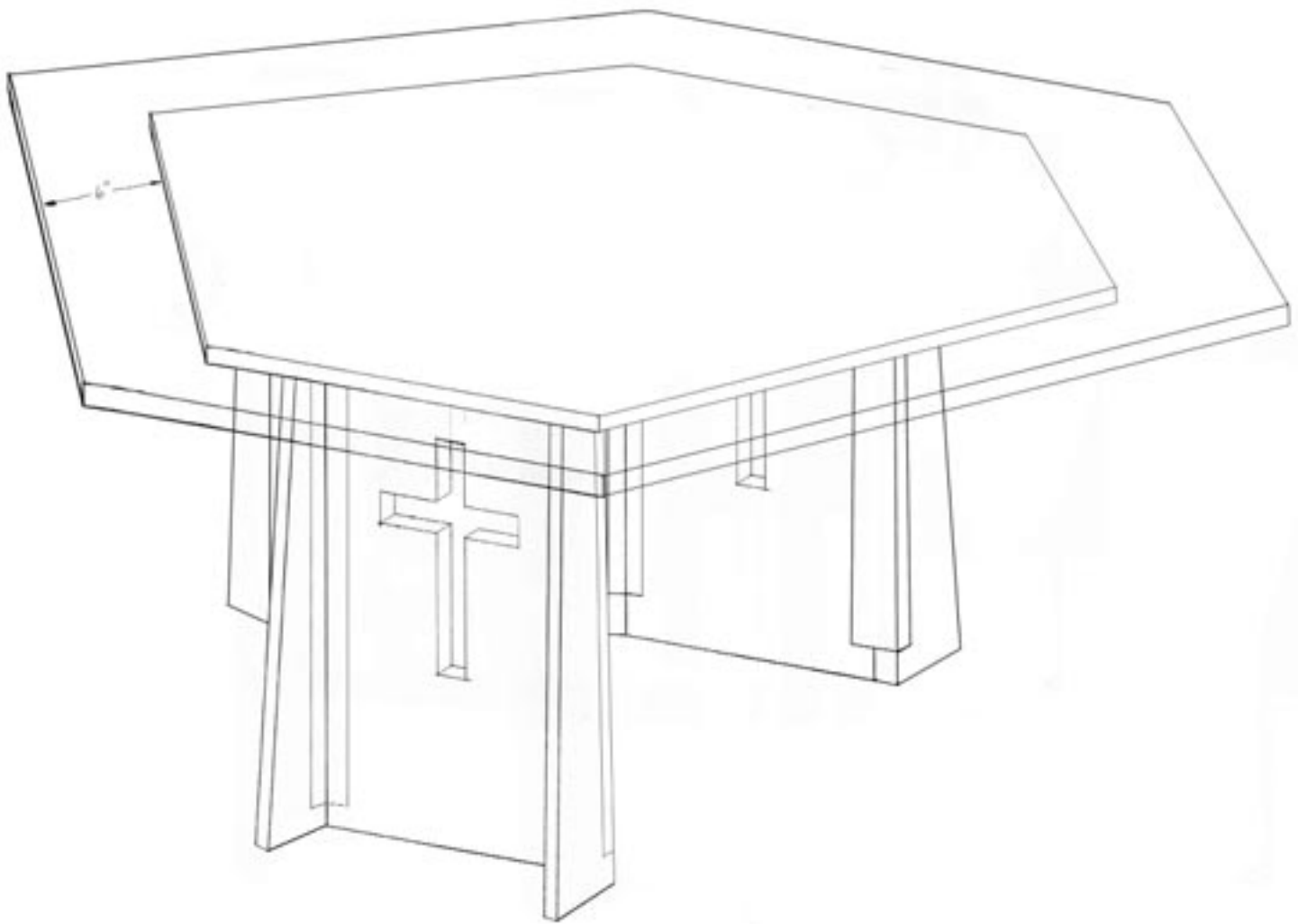


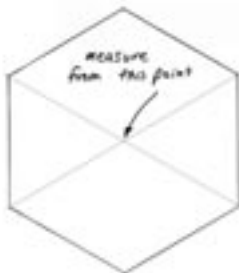
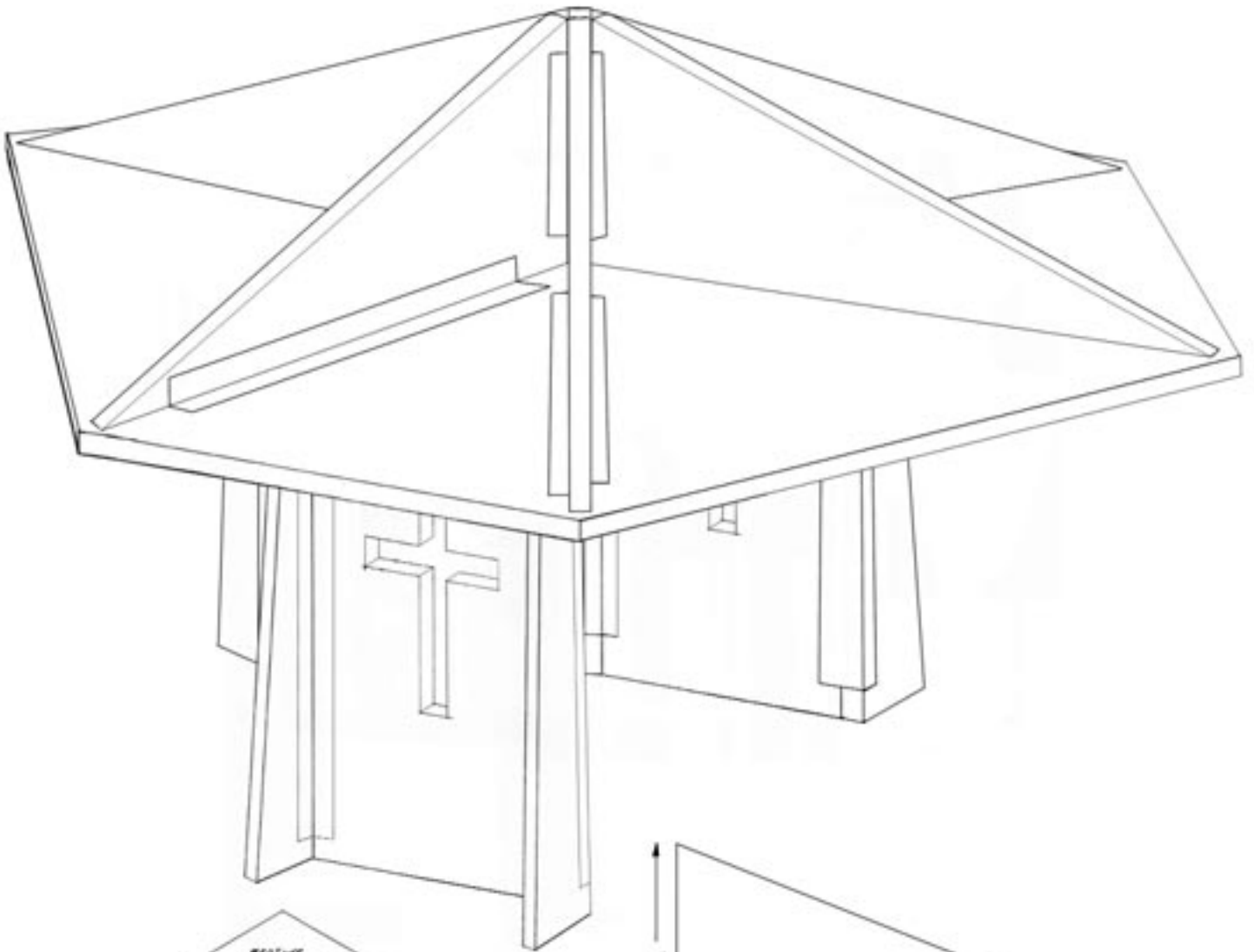
Cover all
joints
with
tape



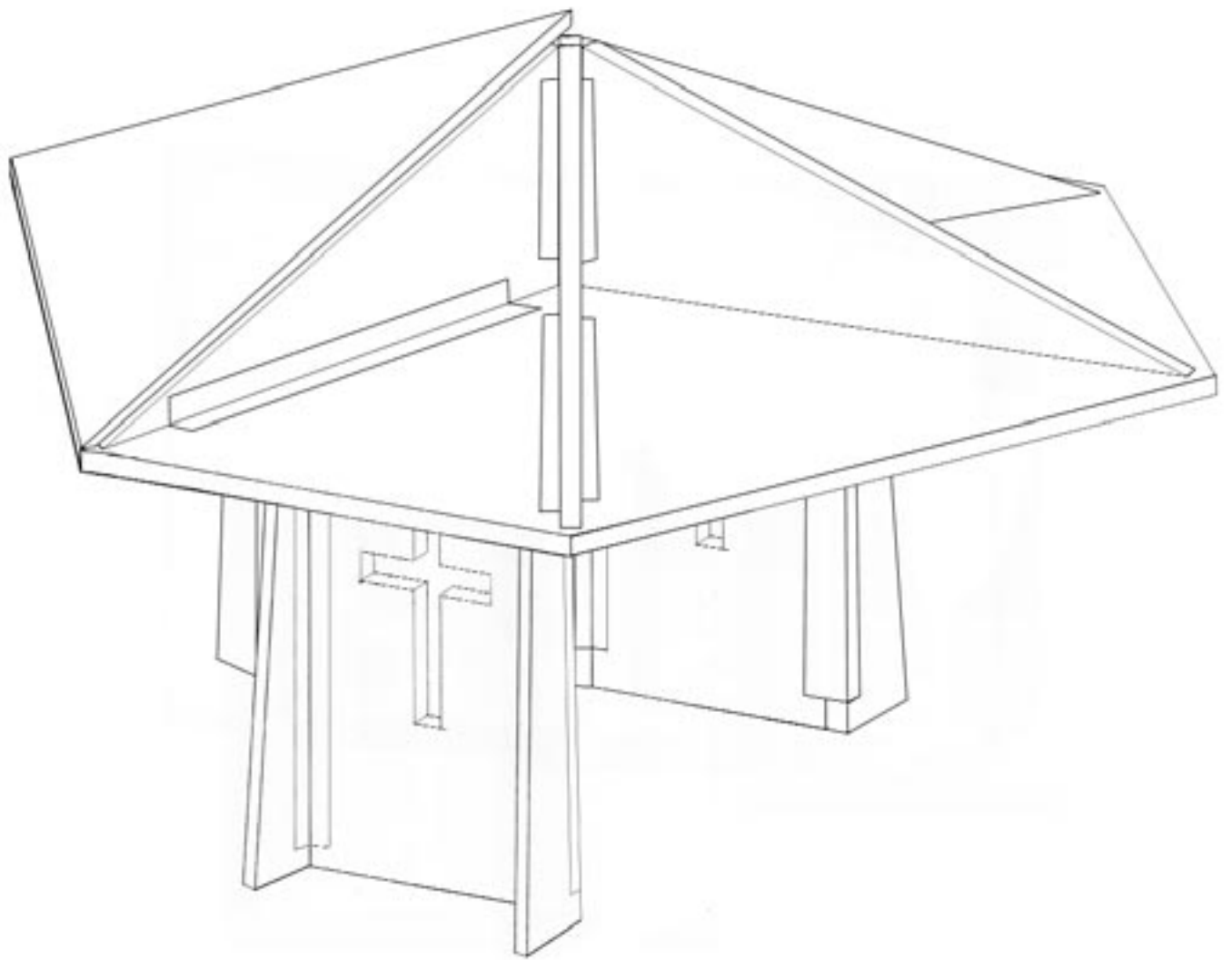


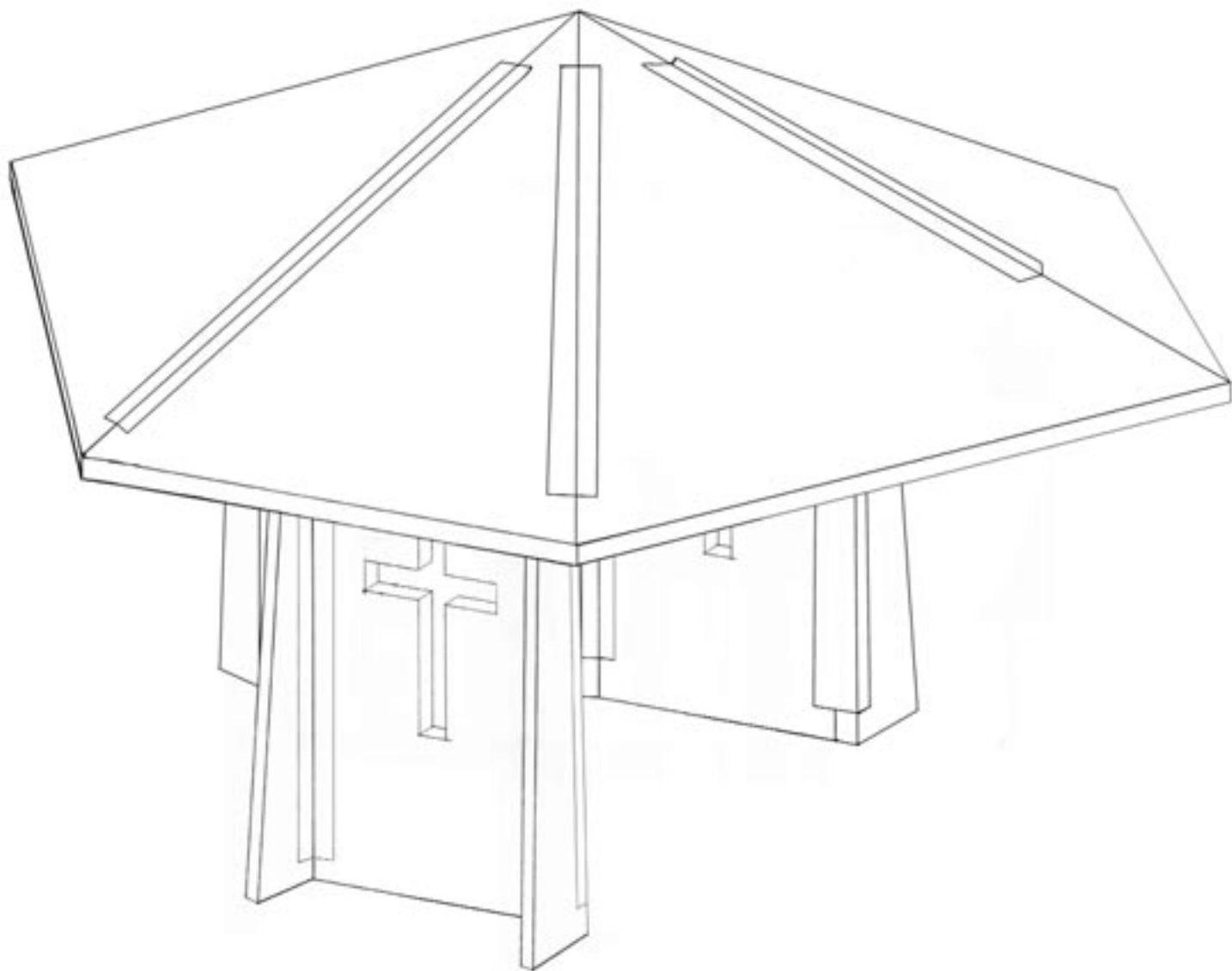


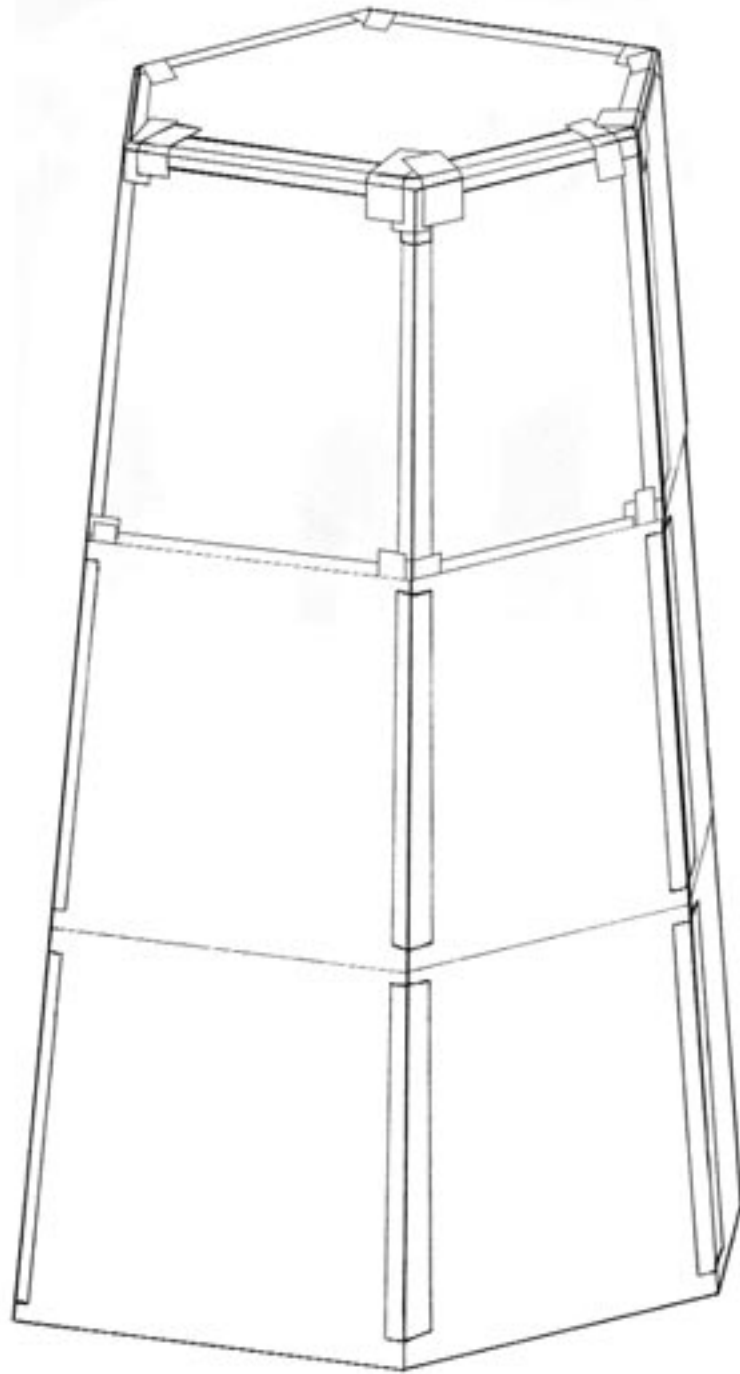
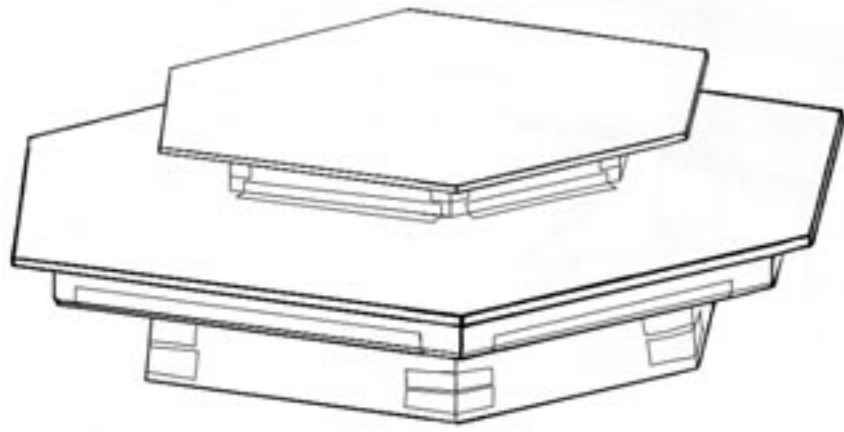


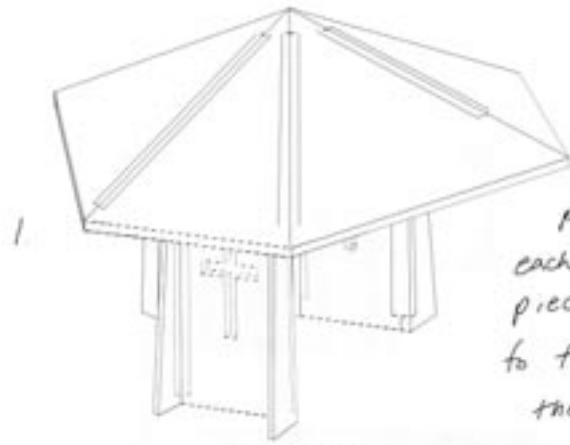


find this length by measuring from the center of the hexagon piece to one of its points.

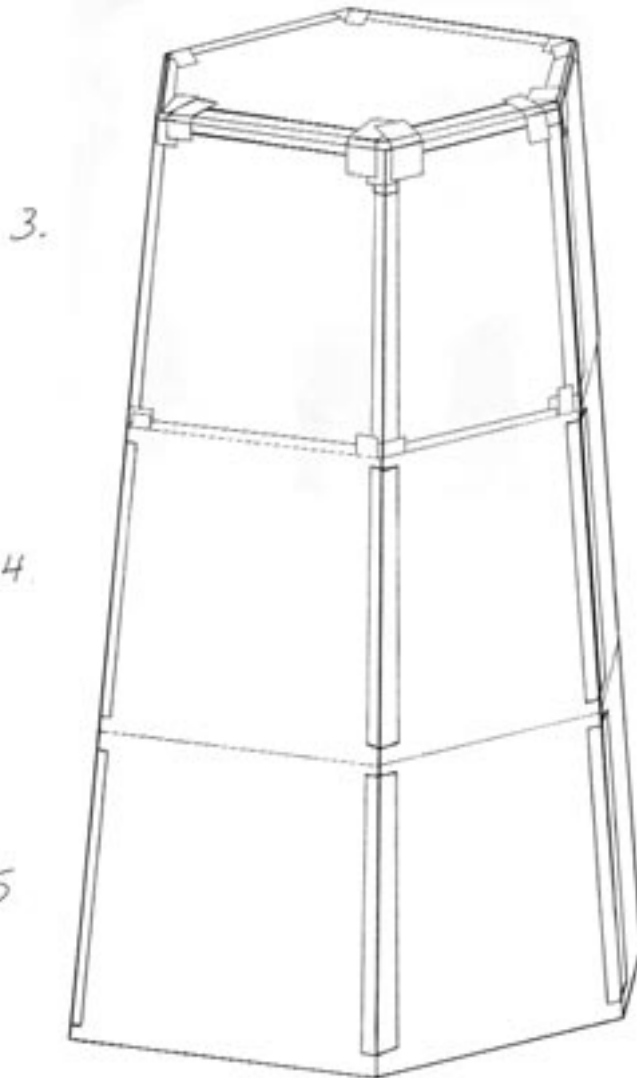








*papier maché
each finished
piece and allow
to thoroughly dry
then paint.*



3.

4.

5.